

TES SMA



Coolant through devices



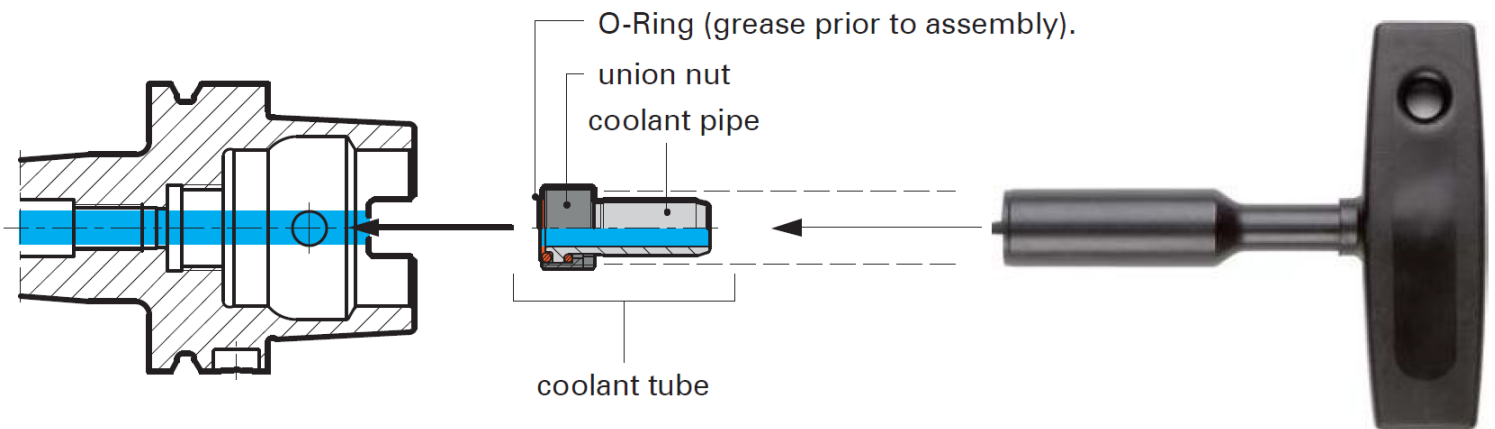
Made
In
Germany



When machining with internal cooling, HSK holders form A must be equipped with a coolant tube. If holders with internal cooling are used without coolant transfer units, this can lead to damage to the spindle. For DIN 69893 Form D, -E and -F coolant tubes are optional.

Ideally, the coolant tube should be installed vertically from bottom to top. This is to prevent the sealing ring from slipping or being displaced during screwing in and thus losing its sealing function.

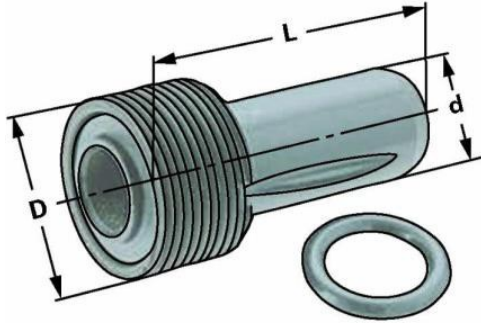
After installation, the coolant pipe is minimally movable ($\pm 1^\circ$) according to DIN.



Mounting

1. The HSK holder must be clean and free of chips and damage.
2. Grease the O-rings before assembly
3. Insert the complete coolant transfer kit (coolant tube, union nut and 2 O-rings) centrally into the HSK using the socket wrench.
4. Screw in the coolant transfer set/coolant transfer unit and tighten it firmly. (See table for torque).
5. Check the coolant pipe for radial movement.

Coolant tubes



art.no.	HSK	D	L	d	Nm
ct.ha032.001	32	M10x1	26	6	7
ct.ha040.001	40	M12x1	29,5	8	11
ct.ha050.001	50	M16x1	33	10	15
ct.ha063.001	63	M18x1	34,5	12	20
ct.ha080.001	80	M20x1,5	40	14	25
ct.ha100.001	100	M24x1,5	44	16	30
ct.ha125.001	125	M30x1,5	47,4	18	38

Coolant tube wrenches



art.no.	HSK	Nm
ct.ha032.101	32	7
ct.ha040.101	40	11
ct.ha050.101	50	15
ct.ha063.101	63	20
ct.ha080.101	80	25
ct.ha100.101	100	30
ct.ha125.101	125	38

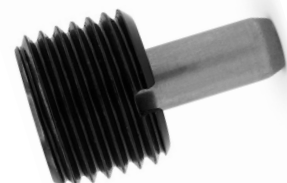
Coolant tube plugs

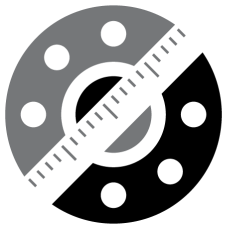
Threaded to fit HSK tool holders. Ideal for closing or sealing-off coolant-through on HSK tools, such as gauges or no-coolant tools.



art.no.	HSK
ct.ha032.010	32
ct.ha040.010	40
ct.ha050.010	50
ct.ha063.010	63
ct.ha080.010	80
ct.ha100.010	100
ct.ha125.010	125

Coolant tubes for ISO 26623-1PSC (cf. Capto) also available.





T E S S M A



Thomas Esswein
Römerweg 33
D-73642 Welzheim

info@tessma.de
www.tessma.de



Made
In
Germany